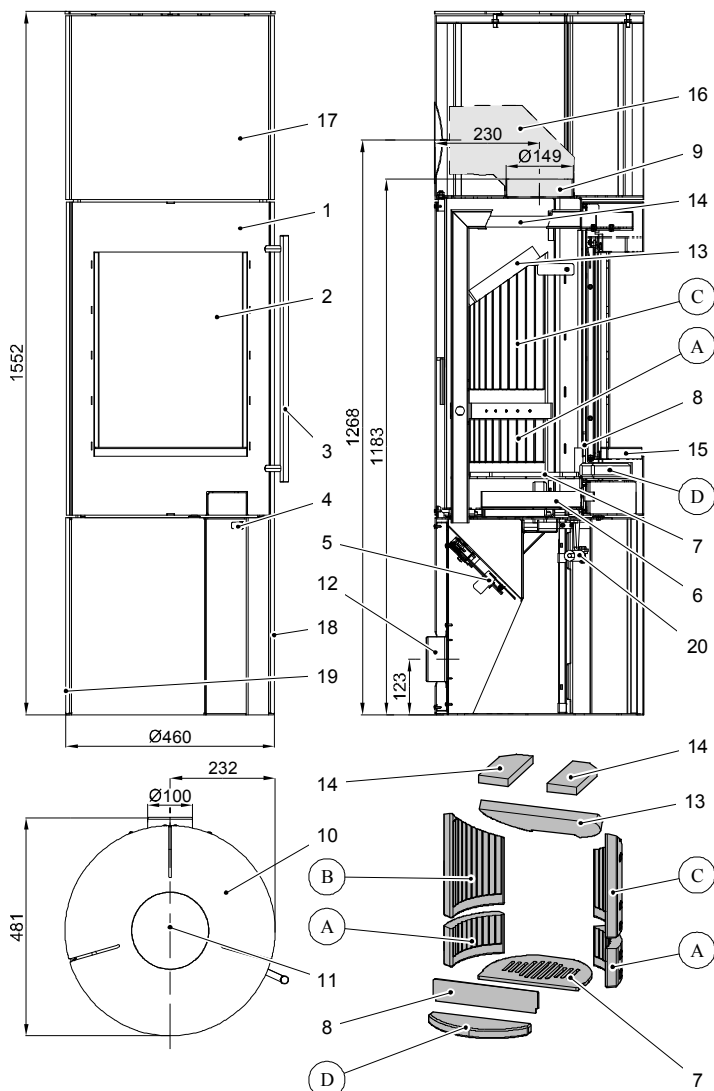




Equipment sheet fireplace Ficus III 287.12-G

Art. Nr.0428712120000



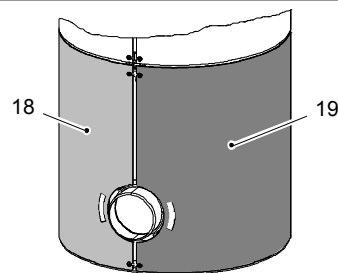
Suitable fuels:

The following materials are approved for burning in your fireplace (refer also to chapter 5.1.):
Dry, natural wood, wood briquettes according to DIN 51731;

Fuel quantities, setting of combustion air damper, operation:

See chapters 5.4, 5.5 and 5.6 in the Operating Instructions and table below.

Article nr.	Stone No.	Dimension
0428712005501	A	211x130x40
0428712005504	B	338x211x40
0428712005505	C	338x211x40
0428712005506	D	323x11x30



Fuels	Maximum fuel quantity	Primary air damper (4) (Air flow through the grating)	Secondary air damper (5) heating
Wood billets, wood briquettes	2 billets (ca. 1,0 – 1,5 kg) or 1 wood briquette (1,5 kg)	For 10 minutes: Open, then closed	Automatic

Spare parts no.	Item	Designation	Spare parts no.	Item	Designation
0429212005300	1	Fire chamber door - black	0088500050008	12	Outside air - pipe fitting Ø 100
0428712005310	2	Door glas 345x460	0428712005507	13	Lower draft deflection plate 380x192x30
0429112005375	3	Door handle	0428712005508	14	Upper draft deflection plate 220x75x25
0428612015012	4	Primary air damper	0428712005325	15	Rug ST
0089900470005	5	Secondary air damper - automatic	0332015007065	16	Elbows 90° (Ø 150) not included
0428612005600	6	Ash pan - black	0428612015065	17	Hood
0428712005510	7	Base support framework - black	0428612005036	18	Sheet rear right
0428712005700	8	Upright grating - black	0428612005039	19	Sheet rear left
-	9	Smoke pipe spigot	0429112005090	20	Air damper
0428612005800	10	Cover plate - black	0041012120005	-	Seal door 12 mm
0421817006001	11	Insert plate - black	0040210040005	-	Seal glass 10x4mm

Technical data::		Ficus III 287.12-G	
Height	1552 mm	Flue gas temperature on the spigot of the heat generator	290 °C
Width	Ø 460 mm	Minimum delivery pressure	12 Pa
Depth without handles	481 mm	Minimum delivery pressure with 0.8 times rated thermal capacity	10 Pa
Weight	108 kg	Flue mass flow	4,7 g/s
Pipe spigot	150 mm	Fuel	Wood
Rated heating capacity	5 kW	CO2	9,5 %
Thermal output range	2,5 – 5,3 kW	Efficiency	81,0 %
Inspection no : EN 13240	RRF 40 13 3490		Wood briquette
			10,6 %
			80,7 %